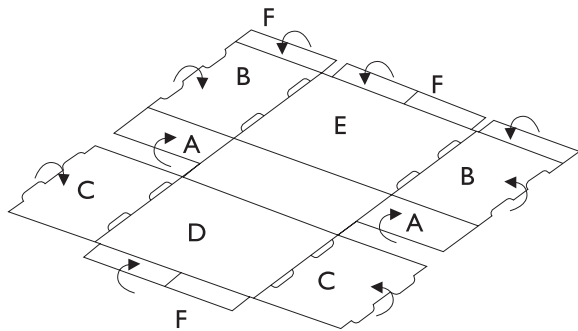


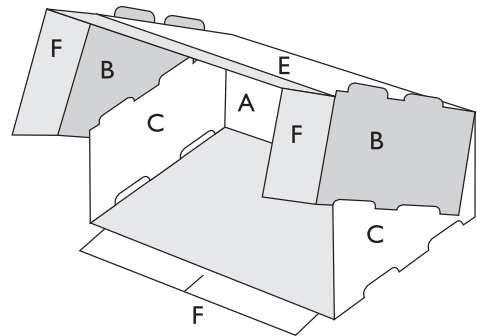
FileAdrawer

Archive filing product

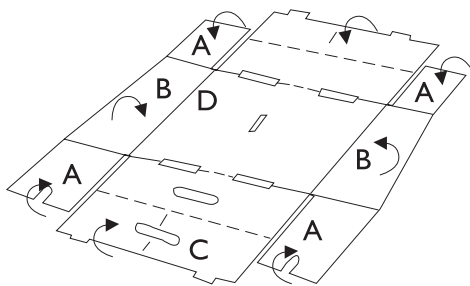
Instructions for use



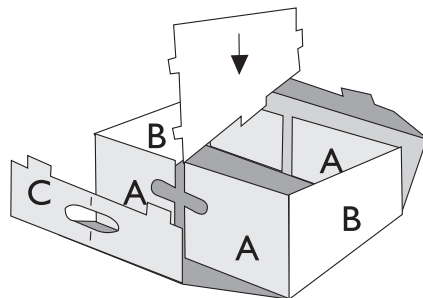
One:
Lay out main structure face down on the floor.
Identify the flaps (not marked)



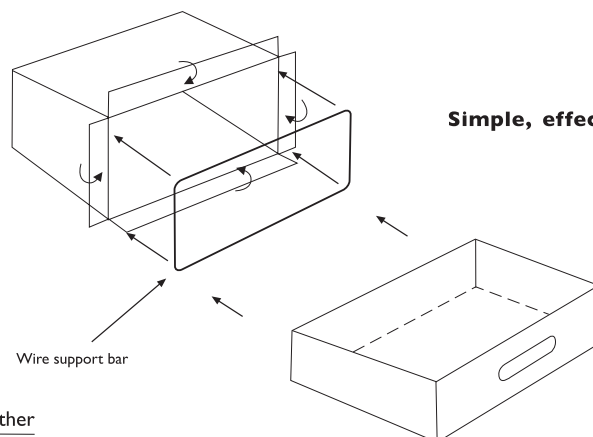
Two:
Bring up E and hold flaps C (inside flap B) allowing tab to lock into cut outs



Three:
Place structure face down on the working surface



Four:
Fold panels B up allowing flaps A to fold inwards
Fold sides C on serrations and allow tabs to slot into cut outs
Slide divider into drawer; slide drawer into main unit



Simple, effective and highly efficient to use.

Final Assembly of All Units Together