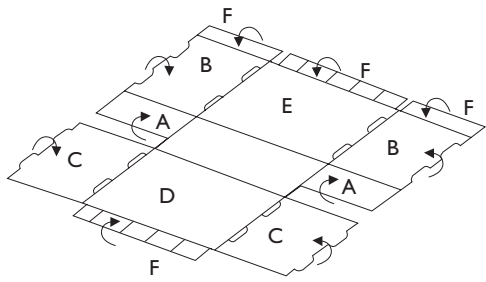


L.A. Tainer

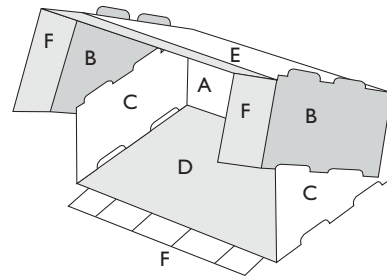
Archive filing product

Instructions for use



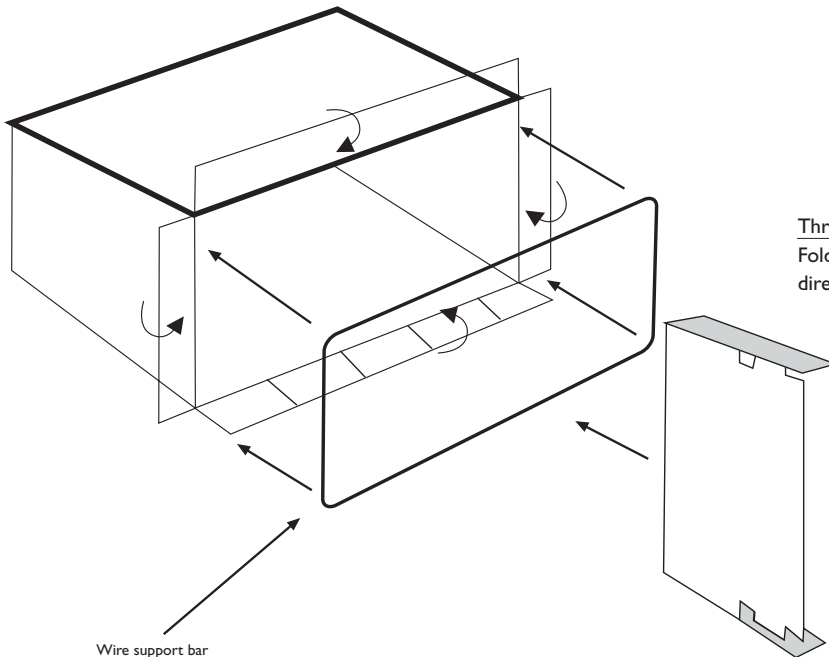
One:

Lay out main structure face down on the floor.
Identify the flaps (not marked)

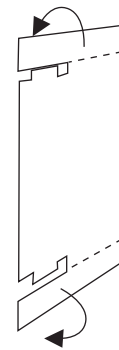


Two:

Bring up E and hold flaps C (inside flap B) allowing tab to lock into cut outs



Wire support bar



Three:

Fold the divider on the serrated edges in the direction of arrows. Slide the dividers into the box

Final Assembly of All Units Together

Simple, effective and highly efficient to use.